

TACTICAL PROTECTOR VEHICLE™

STANDARD FEATURES & OPTIONS

STANDARD FEATURES

Front seat belts
Rear seat belts
Air conditioning
Gross Vehicle Weight Rating (GVWR):
19,500 lbs. (8845 kg)
Improved front and rear suspension systems
Armor: NIJ Level IV
Multi-hit ballistic glass
2 front row bucket seats
9 gun ports
Back up camera system with monitor
Armored roof hatch
Interior lighting with blackout mode
Part-time 4-wheel drive with electronic 2-speed transfer case
shift on the fly; auto locking hubs
Driveline traction control
Hydraulic power assist re-circulating ball steering
4-wheel ventilated disc brakes
4-wheel anti-lock braking system
Front air bags
6.8 L V-10 gasoline engine – 362 hp
200A dual alternator
Dual batteries
Transmission oil cooler
6-speed electronic automatic transmission with overdrive
Blast resistant floor
Front and rear towing receivers
Side running boards and grab handles

WARRANTY

Chassis Warranty: Basic 36 months/36,000 miles
Engine Warranty: 60 months/100,000 miles
Powertrain: 60 months/60,000 miles



CONTACT:

Jack Reiff
Program Director, Tactical Protector Vehicle™
Global Defense
Oshkosh Corporation
2737 Harrison Street
Oshkosh, WI 54902-2566

Office: 920.235.9151 extension 22815
Fax: 920.233.9506
Email: jreiff@defense.oshkoshcorp.com
Web: oshkosh-tacticalprotector.com

OPTIONS

Interior

Interior seating configurability for up to 9 officers
Second row bucket seats or second row rear-facing seats
Side facing rear bench seats
Blast-resistant suspended seats in place of bucket seats
Optional center console
Compartmentalized storage
Rear HVAC

Protection

Radiator protection
Gunner protection kit (low profile sniper turret)
Remote Weapon Station (RWS)
NBC protection
Blast-resistant V-shaped belly plate
Deployable underbody "skip" round shields

Situational Awareness

External optical and infrared cameras
GPS
Radio communication capabilities as specified by customer
2-way external intercom

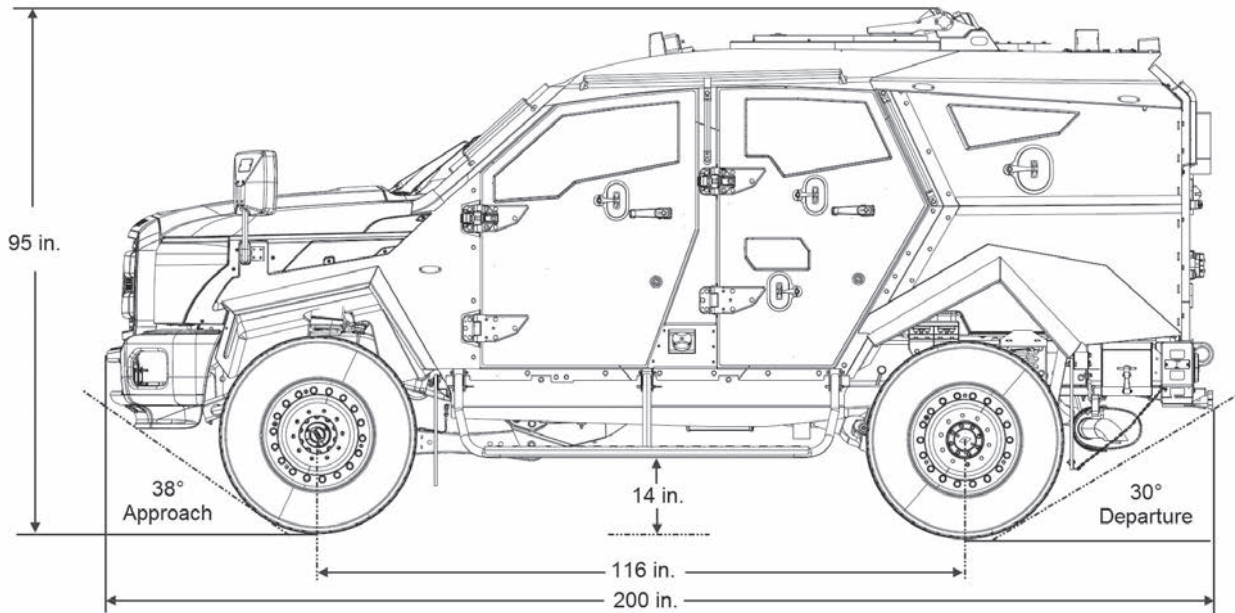
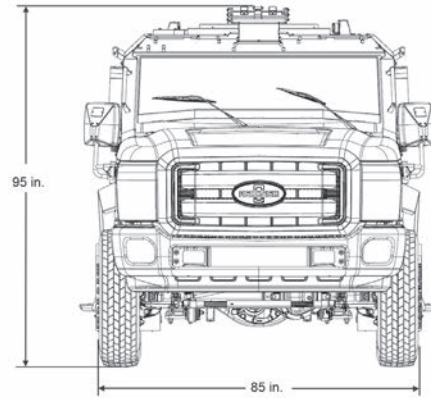
Exterior

Front or rear mounted winches
Second-story entrance ramps
Front step
Push bars
Light bars
Exterior spotlights and GO lights
Emergency flashers and sirens
Rear step and grab handles
Rear ladder
Non-slip roof coating
Ram with optional armored camera
Custom paint
110V power inverter

Specifications, descriptions and illustrations are as accurate as known at the time of publication, but are subject to change without notice.

TACTICAL PROTECTOR VEHICLE™

STANDARD FEATURES & OPTIONS



Oshkosh Corporation • 2307 Oregon Street, P.O. Box 2566 • Oshkosh, WI, USA 54903-2566 • ph 1.920.235.9150 • fax 1.920.233.9506
Washington, DC Office • 1300 North 17th Street, Suite 1040 • Arlington, VA, USA 22209 • ph 1.703.525.8400 • fax 1.703.525.8408
© 2011 Oshkosh Corporation

Oshkosh and the Oshkosh logo are registered trademarks and Tactical Protector Vehicle is a trademark of Oshkosh Corporation, Oshkosh, WI, USA
All other trademarks are property of their respective owners Protector 9/11